

AiM Infotech

Car water thermo resistor
1/8 thread

Release 1.06



AiM car devices can measure and sample water temperature using a sensor (thermo-resistor). This datasheet explains how to install the 1/8NPT water temperature thermo resistor. All AiM thermo-resistor are PT100 type.

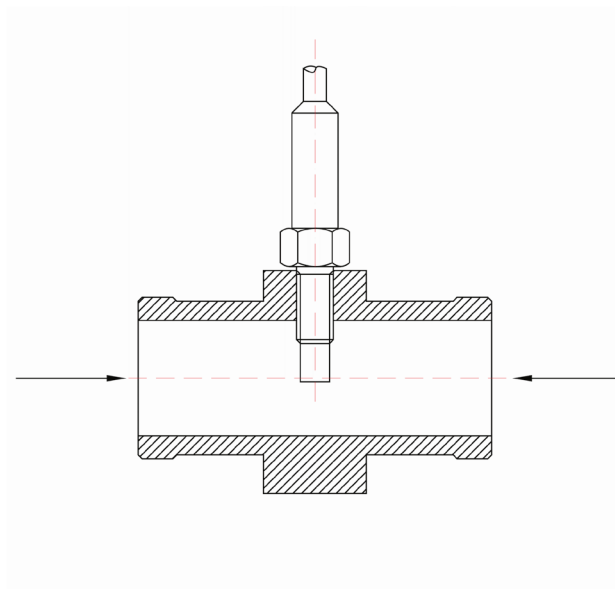
The sensor **part number** is:

- AiM water thermo resistor 1/8 NPT thread **X05NPTA4513BPRS**

1

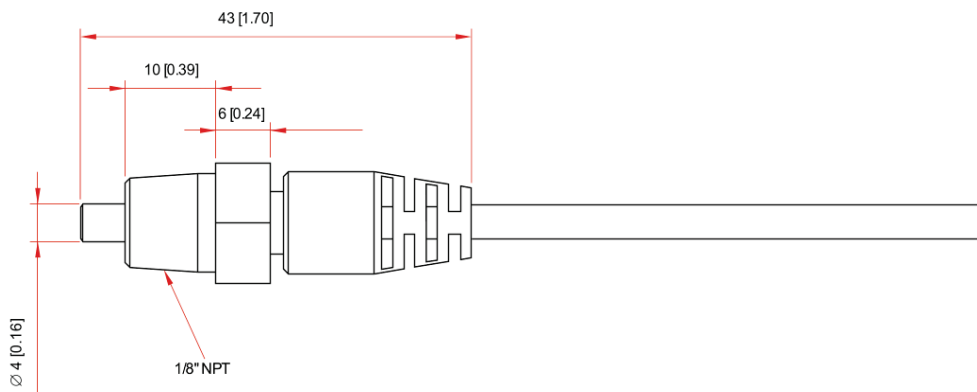
Installation notes

The thermo resistor is to be placed in the pipe that goes from the radiator to the cylinder. To install it place the sensor in the rubber pipe . Here below you see the thermo resistor correctly installed.

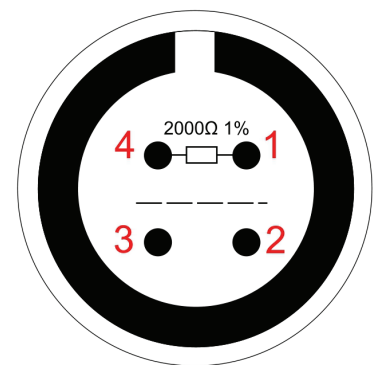
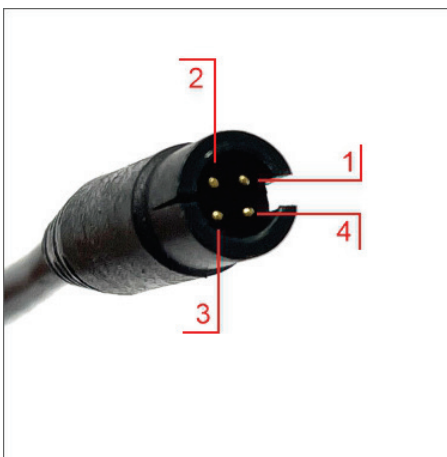


2 Dimensions, pinout and technical characteristics

The drawing here below shows the thermo resistor dimensions in mm [inches].



The thermo resistor ends with a 4 pins **Binder 719 male connector that features a 2kΩ 1% resistor between pins 1 and 4**. Here below the connector view – sensor side on the left and device side on the right – are shown; while in the following table is connector pinout



Binder connector pin

Function

1	Temperature signal
2	GND
3	Not connected
4	Vref

The thermo resistor **electrical characteristics** are:

Electrical characteristics	Value
temperature working range	0-150°C [32-302°F]
cable length	25 cm [9.8" inches]

3

Extension cable

The thermo resistor comes with a 25 cm cable. A standard extension cable is available as optional.

Extension cable part number is: **V02PCB15BTR**.

