

Solo Bar Pad Motocross for handle bars without cross brace

Installation guide

Figure 1/12

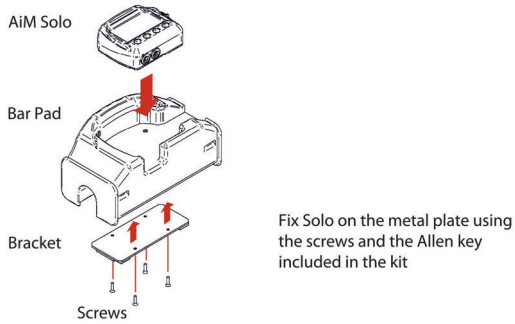


Figure 2/12

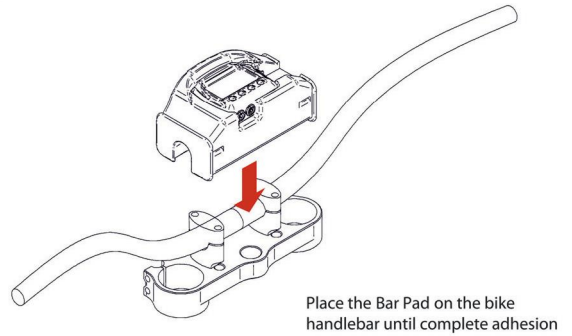


Figure 3/12

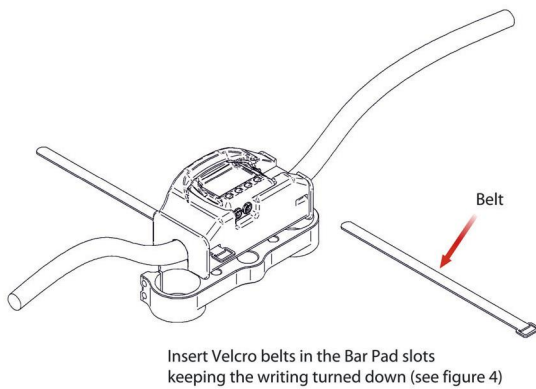


Figure 4/12

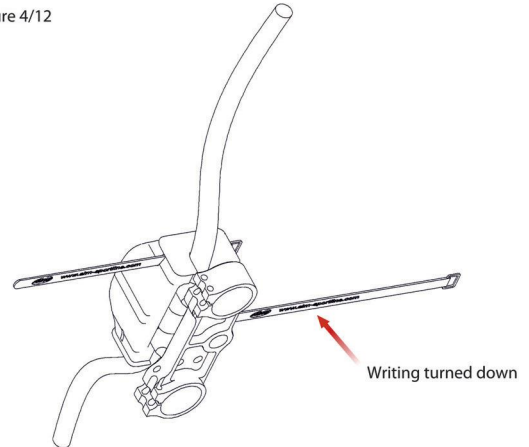


Figure 5/12

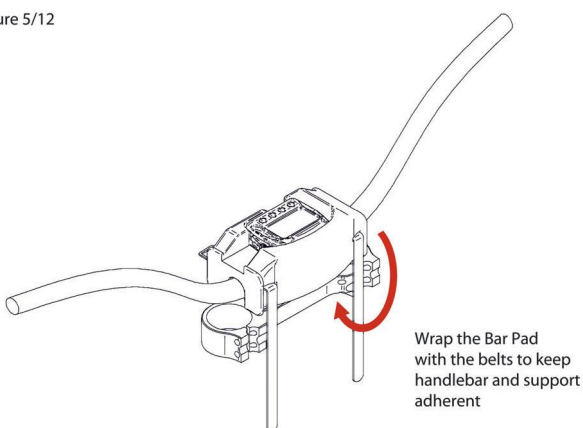
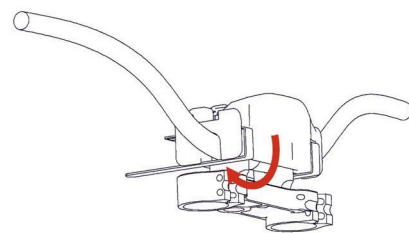


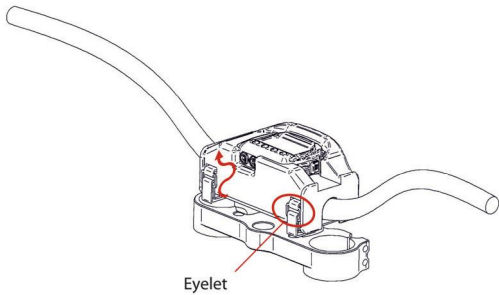
Figure 6/12



Solo Bar Pad Motocross for handle bars without cross brace

Installation guide

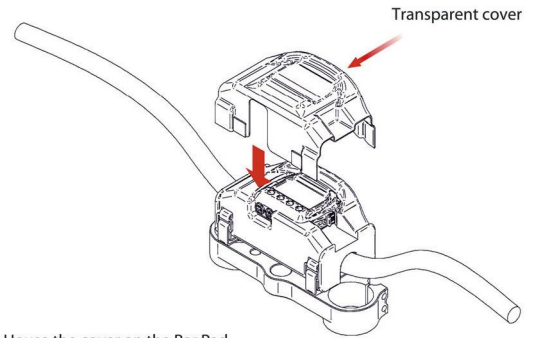
Figure 7/12



Eyelet

Make the belt pass in its eyelet and couple male Velcro with female one

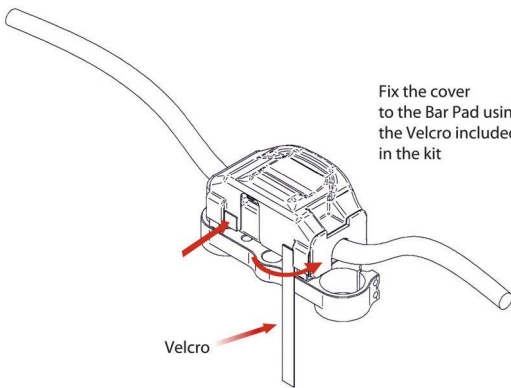
Figure 8/12



Transparent cover

House the cover on the Bar Pad

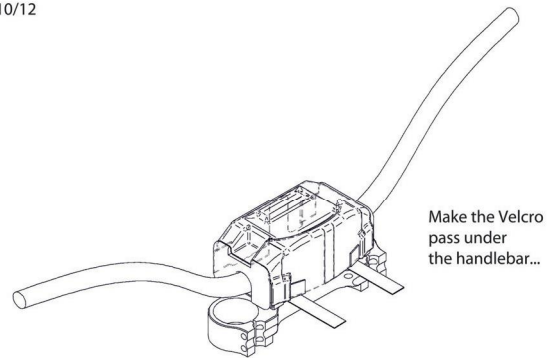
Figure 9/12



Fix the cover to the Bar Pad using the Velcro included in the kit

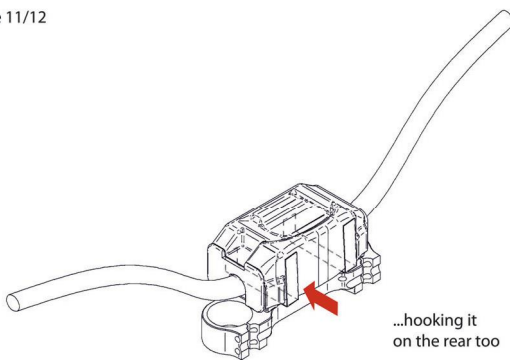
Velcro

Figure 10/12



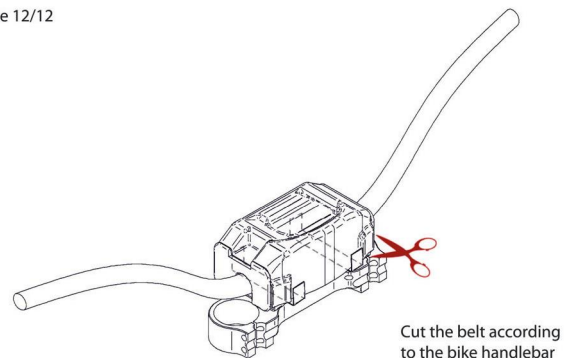
Make the Velcro pass under the handlebar...

Figure 11/12



...hooking it on the rear too

Figure 12/12



Cut the belt according to the bike handlebar measure

