

# it AiM Solo/SoloDL for Suzuki GSX-R

## Installation guide

Fig. 1left

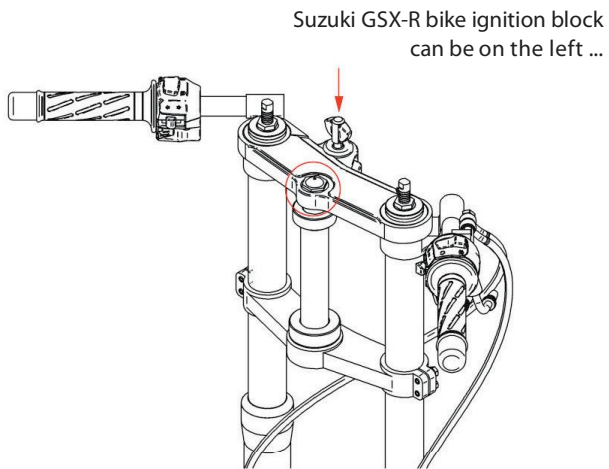


Fig. 1right

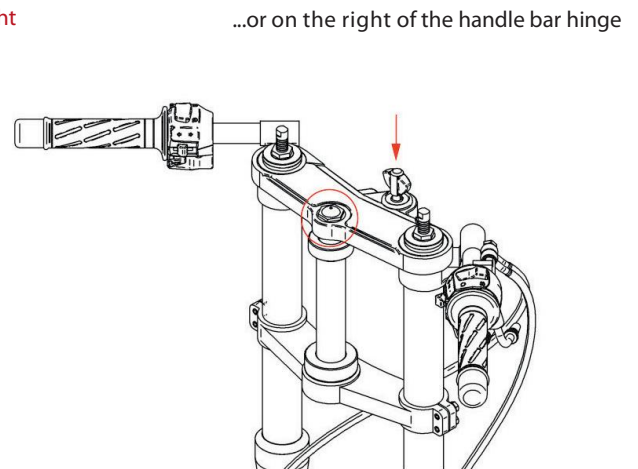


Fig. 2left

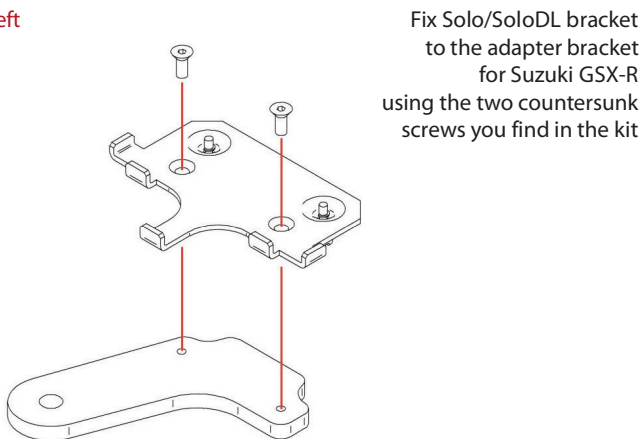


Fig. 2right

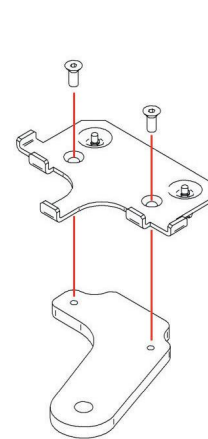


Fig. 3left

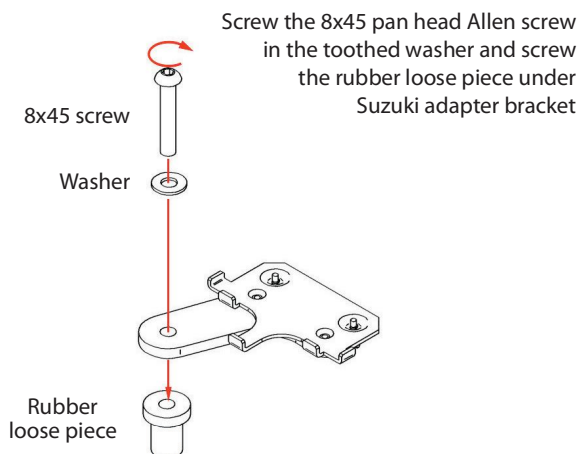
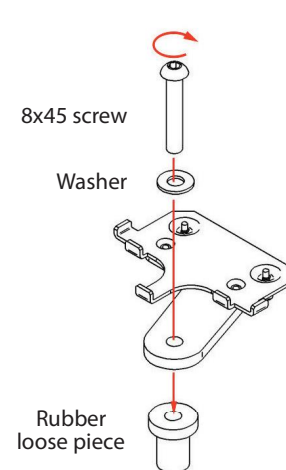


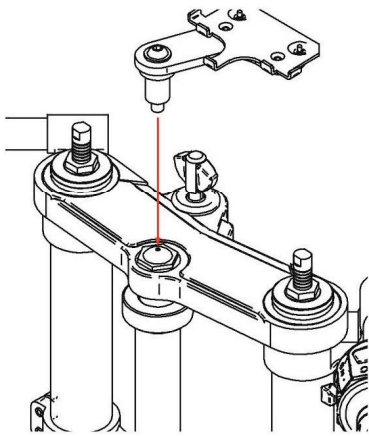
Fig. 3right



# it AiM Solo/SoloDL for Suzuki GSX-R

## Installation guide

Fig. 4left



Insert the assembled kit in the handle bar hinge until the distance piece abuts the hinge

Fig. 4right

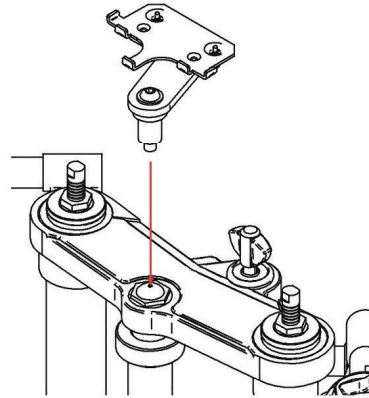
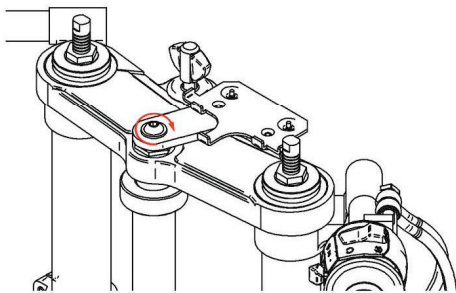


Fig. 5left



Tighten the central screw on the hinge so that this last grips

Fig. 5right

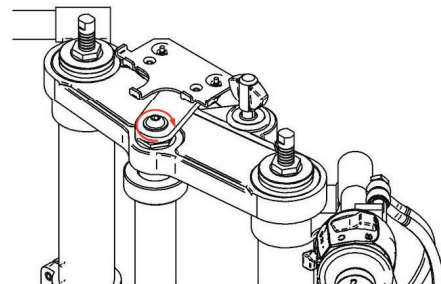
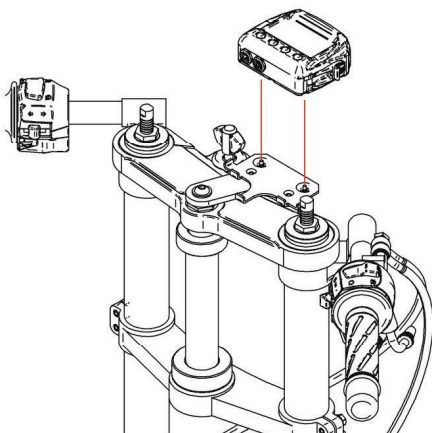
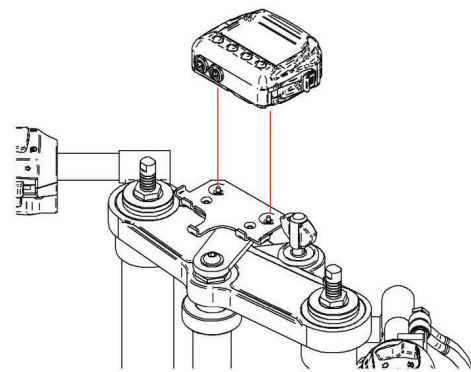


Fig. 6left



Hook Solo/SoloDL to its bracket

Fig. 6right



# it AiM Solo/SoloDL for Suzuki GSX-R

## Installation guide

Fig. 7left

Fix it using the screws already inserted rear on Solo/SoloDL bracket

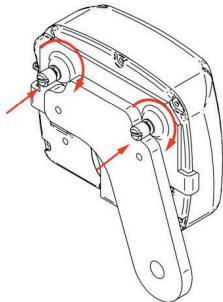


Fig. 7right

