

it iM Solo/Solo for ucati Panigale

Installation guide

Fig. 1/6

Place the washer and the distance piece in line with Panigale Bracket hole and insert M8 screw in the hole, tightening all pieces

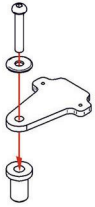


Fig. 2/6

Fix Solo bracket to Panigale one using the two countersunk screws you find in the kit

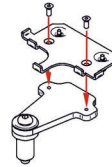


Fig. 3/6

Insert the assembled brackets in the handle bar hole

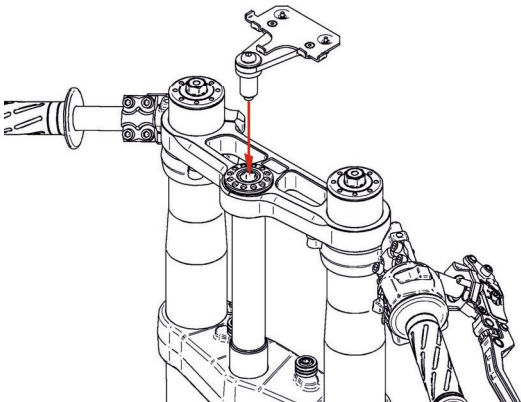


Fig. 4/6

Tighten the M8 screw and the distance piece until the assembled brackets about the bike fork

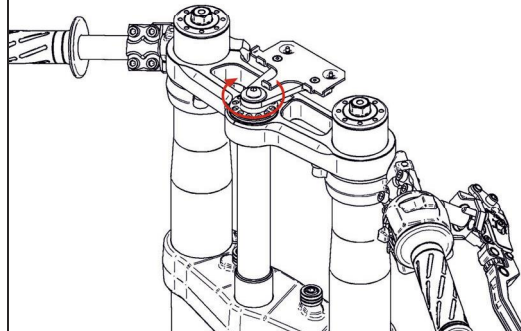


Fig. 5/6

Hook Solo to its bracket

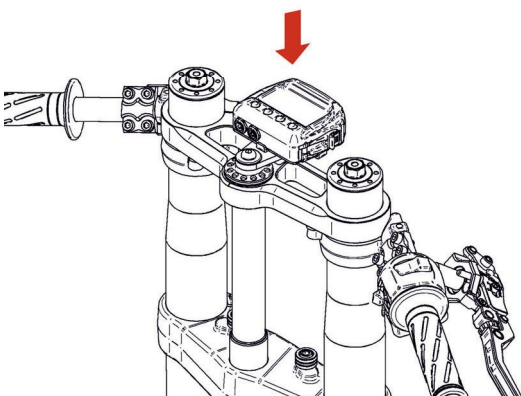


Fig. 6/6

Tighten Solo bracket screws

