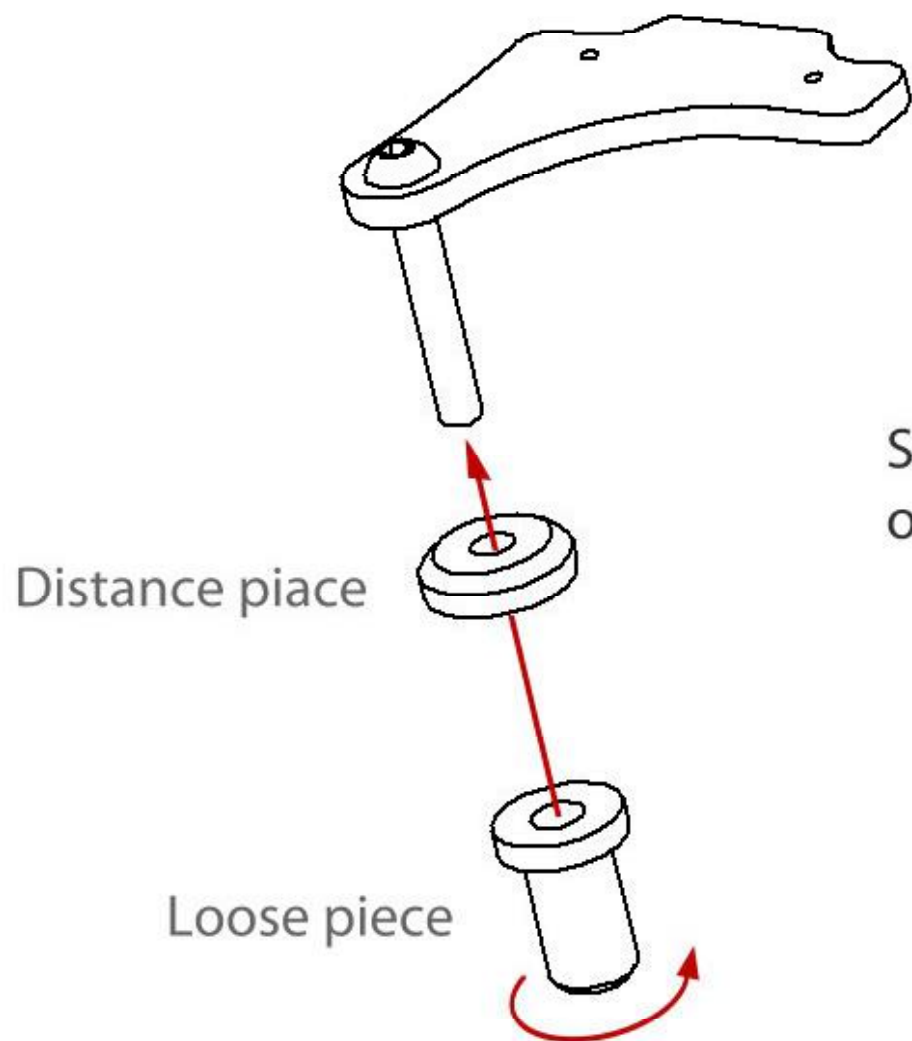


Solo Kit
for BMW S 1000 RR
Instructions manual

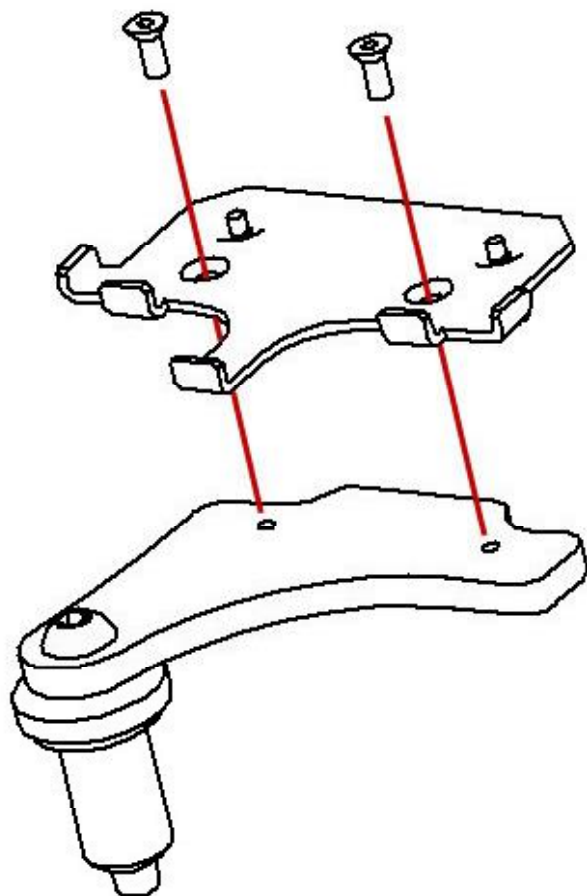


Figure 1/6



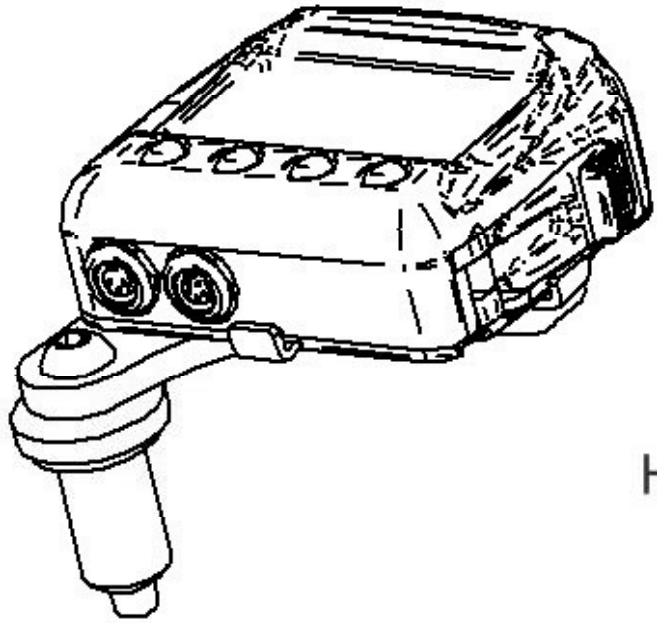
Screw the rubber loose piece
on the bolt inserting the distance piece

Figure 2/6



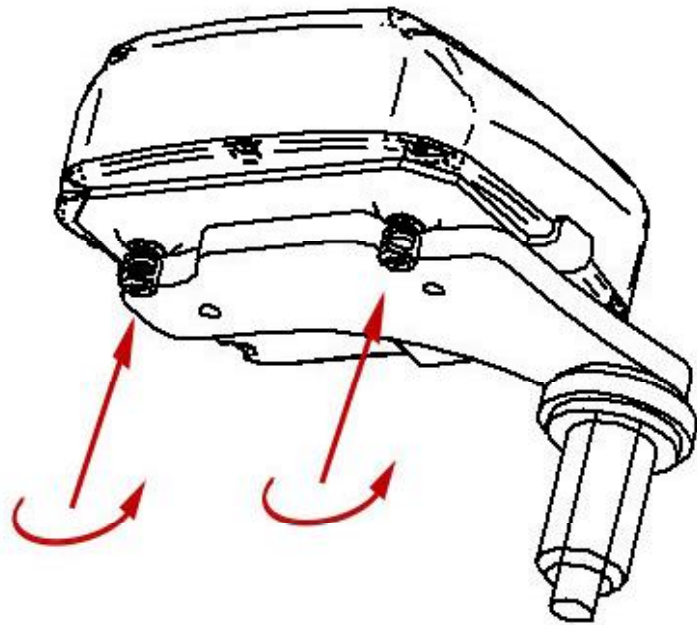
Fix Solo bracket to the adapter bracket for BMW using the two countersunk screws

Figure 3/6



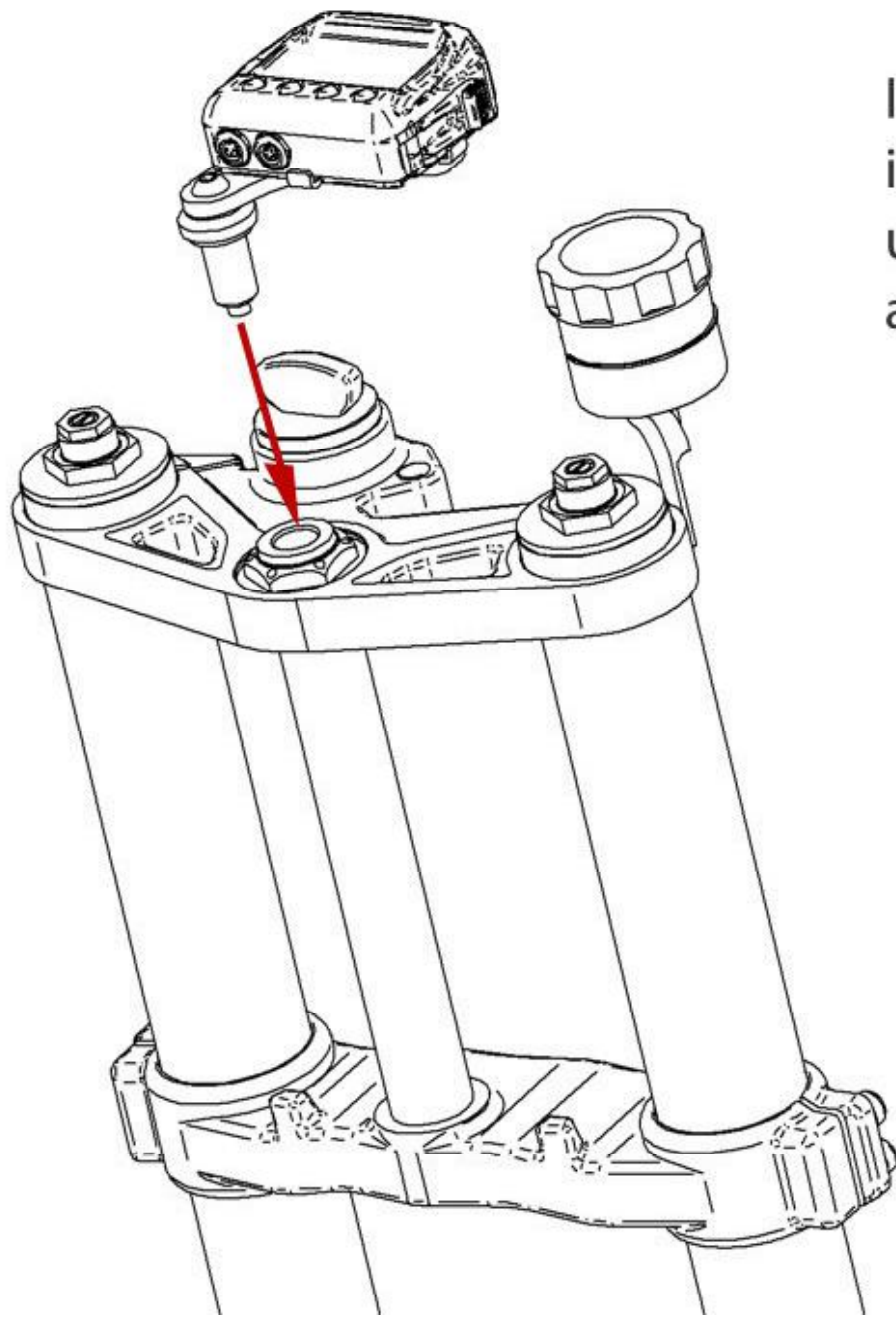
Hook Solo to its bracket

Figure 4/6



Fix Solo to its bracket using the screws you find on the rear of the same bracket

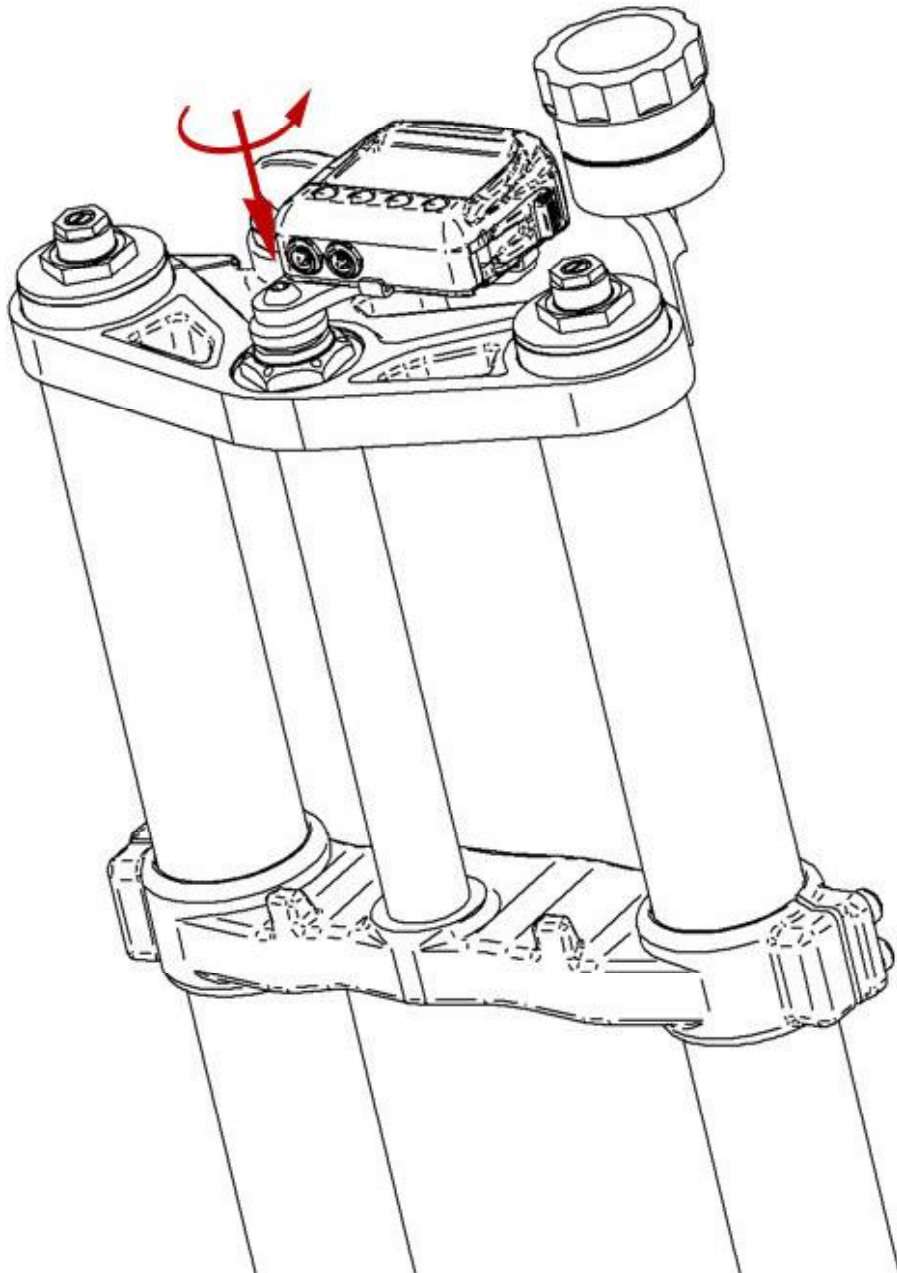
Figure 5/6



Insert the loose piece
in the handlebar hinge
until the distance piece
abuts the hinge

Figure 6/6

Brake liquid pan



Screw the central screw on the hinge so that this last grips and is well fixed

If necessary unscrew and replace the brake liquid pan



AiM Srl

Via Cavalcanti, 8

20063 Cernusco sul Naviglio

Italy

Tel. (+39) 02.9290571

Fax (+39) 02.92118024

aim-sportline.com